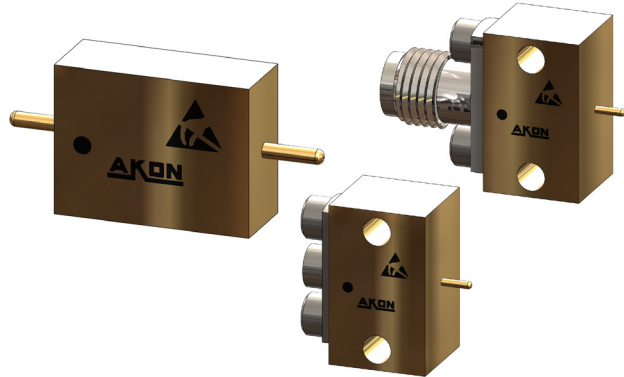


## KEY PERFORMANCE FEATURES

- Tunnel, Schottky, and Zero Bias Schottky
- Excellent Sensitivity, TSS of - 50 dBm
- K Factor Ranges from 700 to 4000 mV/dB
- Wide Band Frequency Coverage
- Compact and Ruggedized Packaging
- Package Options: Drop-In, SMA, & SMP



## PRODUCT DESCRIPTION

AKON's product line of RF & Microwave Detectors operate over a frequency range of 2 to 18 GHz. All of the designs utilize thin film circuitry with DC bias inductors and by pass chip capacitors. This design construction offers excellent electrical repeatability and over temperature electrical performance.

AKON products are designed to withstand the demanding environments of Military, Space and Industrial applications. Our compact and ruggedized products are designed to handle stringent mechanical shock/vibrations, temperature cycling, altitude and temperature extremes.

Reliability is a key feature of AKON products and to ensure this we perform ESS testing on all of our products. AKON offers an off-the-shelf screening option called its "H" series, per Mil-STD-883 level B that is available on all of its RF & Microwave Components. **For custom electrical, mechanical, and screening options, please contact AKON Sales: sales@akoninc.com (or) 408-432-8039.**

## SPECIFICATIONS:

Model Number	Frequency Range (GHz)	K Factor (mV/dB)	T.S.S. (dBm)	Flatness (dB)	VSWR	Video		Max Input Power (dBm)	Pkg.	EAR99/ITAR
						Resistance (ohms)	Capacitance (pF)			
<b>Tunnel Diode Detectors</b>										
A43-MX001	2 - 6	700	-49	+/- 0.4	2.3:1	120	20	+17	Drop-In	EAR99
A43-MX002	2 - 6	700	-49	+/- 0.4	2.3:1	120	20	+17	SMA	EAR99
A43-MX003	2 - 6	700	-49	+/- 0.4	2.3:1	120	20	+17	SMP	EAR99
A43-MX004	6 - 18	600	-49	+/- 0.5	2.5:1	100	15	+17	Drop-In	EAR99
A43-MX005	6 - 18	600	-49	+/- 0.5	2.5:1	100	15	+17	SMA	EAR99
A43-MX006	6 - 18	600	-49	+/- 0.5	2.5:1	100	15	+17	SMP	EAR99
A43-MX007	2 - 18	500	-49	+/- 0.7	2.7:1	100	15	+17	Drop-In	EAR99
A43-MX008	2 - 18	500	-49	+/- 0.7	2.7:1	100	15	+17	SMA	EAR99
A43-MX009	2 - 18	500	-49	+/- 0.7	2.7:1	100	15	+17	SMP	EAR99
<b>Biased Schottky Detectors (external bias at 100 microamps)</b>										
A43-MX010	2 - 6	2000	-52	+/- 0.4	3.0:1	380	20	+20	Drop-In	EAR99
A43-MX011	2 - 6	2000	-52	+/- 0.4	3.0:1	380	20	+20	SMA	EAR99
A43-MX012	2 - 6	2000	-52	+/- 0.4	3.0:1	380	20	+20	SMP	EAR99
A43-MX013	6 - 18	1700	-51	+/- 0.5	3.5:1	380	10	+20	Drop-In	EAR99
A43-MX014	6 - 18	1700	-51	+/- 0.5	3.5:1	380	10	+20	SMA	EAR99

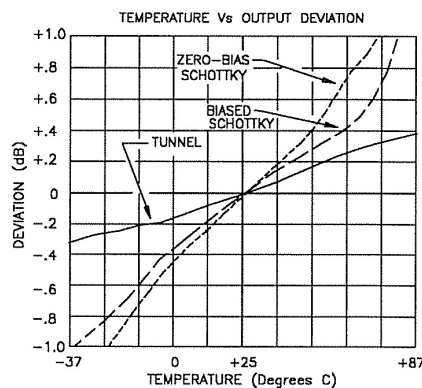
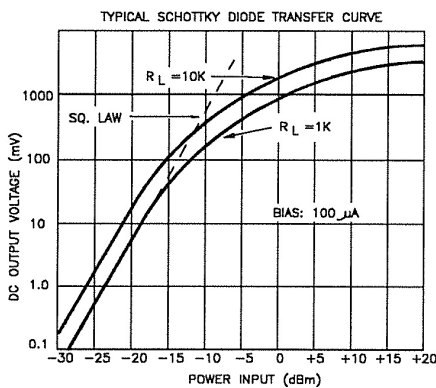
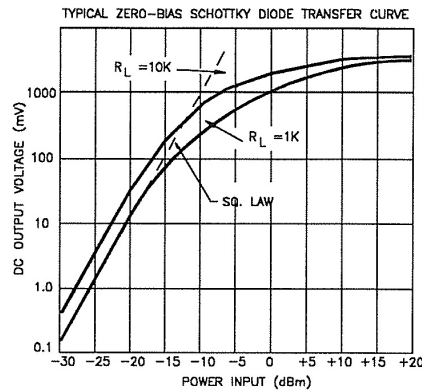
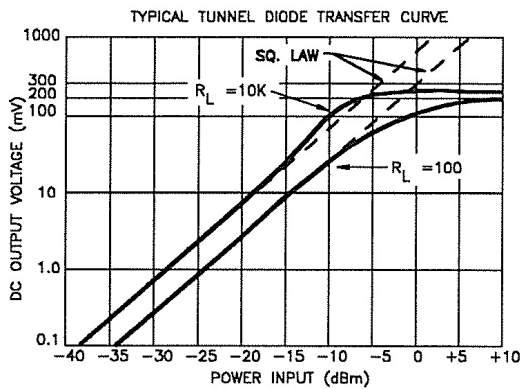
AKON, Inc. and its affiliates reserve the right to make changes to the product(s) or information contained herein without notice. All products are measured in 50 - ohm system, at +25° C. The units will operate over -54° to +85° C with slight performance degradation. **Note: All dimensions are specified in inches (mm)**

### SPECIFICATIONS:

Model Number	Frequency Range (GHz)	K Factor (mV/dB)	T.S.S. (dBm)	Flatness (dB)	VSWR	Video		Max Input Power (dBm)	Pkg.	EAR99/ITAR
						Resistance (ohms)	Capacitance (pF)			
A43-MX015	6 - 18	1700	-51	+/- 0.5	3.5:1	380	10	+20	SMP	EAR99
A43-MX016	2 - 18	1500	-50	+/- 0.7	4.0:1	380	10	+20	Drop-In	EAR99
A43-MX017	2 - 18	1500	-50	+/- 0.7	4.0:1	380	10	+20	SMA	EAR99
A43-MX018	2 - 18	1500	-50	+/- 0.7	4.0:1	380	10	+20	SMP	EAR99
Zero Bias Schottky Detectors										
A43-MX019	6 - 18	2200	-49	+/- 0.5	4.0:1	2000	10	+20	Drop-In	EAR99
A43-MX020	6 - 18	2200	-49	+/- 0.5	4.0:1	2000	10	+20	SMA	EAR99
A43-MX021	6 - 18	2200	-49	+/- 0.5	4.0:1	2000	10	+20	SMP	EAR99
A43-MX022	2 - 18	1700	-49	+/- 0.7	4.0:1	2000	10	+20	Drop-In	EAR99
A43-MX023	2 - 18	1700	-49	+/- 0.7	4.0:1	2000	10	+20	SMA	EAR99
A43-MX024	2 - 18	1700	-49	+/- 0.7	4.0:1	2000	10	+20	SMP	EAR99

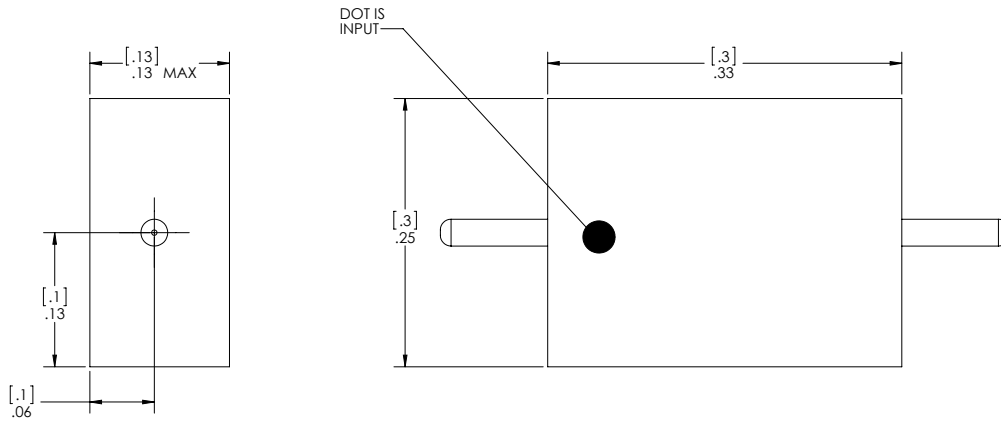
AKON, Inc. and its affiliates reserve the right to make changes to the product(s) or information contained herein without notice. All products are measured in 50 - ohm system, at +25° C. The units will operate over -54° to +85° C with slight performance degradation. Note: All dimensions are specified in inches (mm)

### TYPICAL CHARACTERISTICS

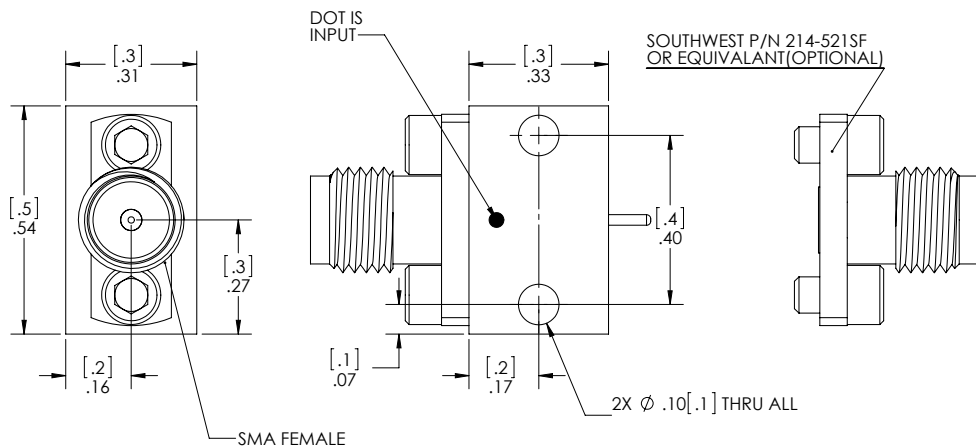


## AVAILABLE CASE STYLES

**DROP-IN**



**SMA**



**SMP**

