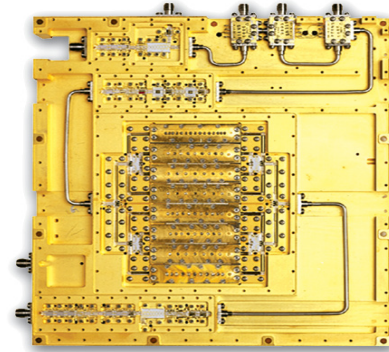


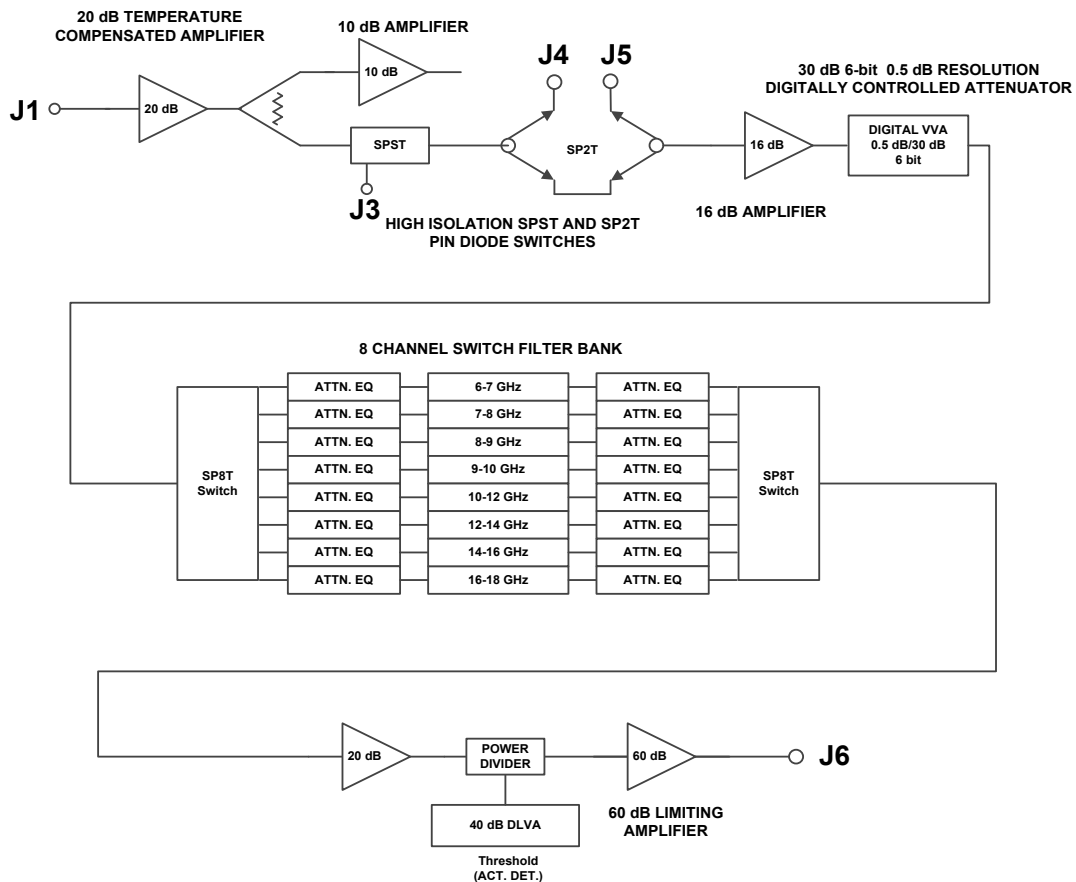
FEATURES:

- ULTRA BROAD FREQUENCY RANGE
- BUILT-IN HIGH POWER PROTECTION
- BUILT-IN BITE CIRCUIT
- BUILT-IN DLVA
- RF OUTPUT FOR FREQUENCY MEASUREMENT
- EXCELLENT LINEARITY

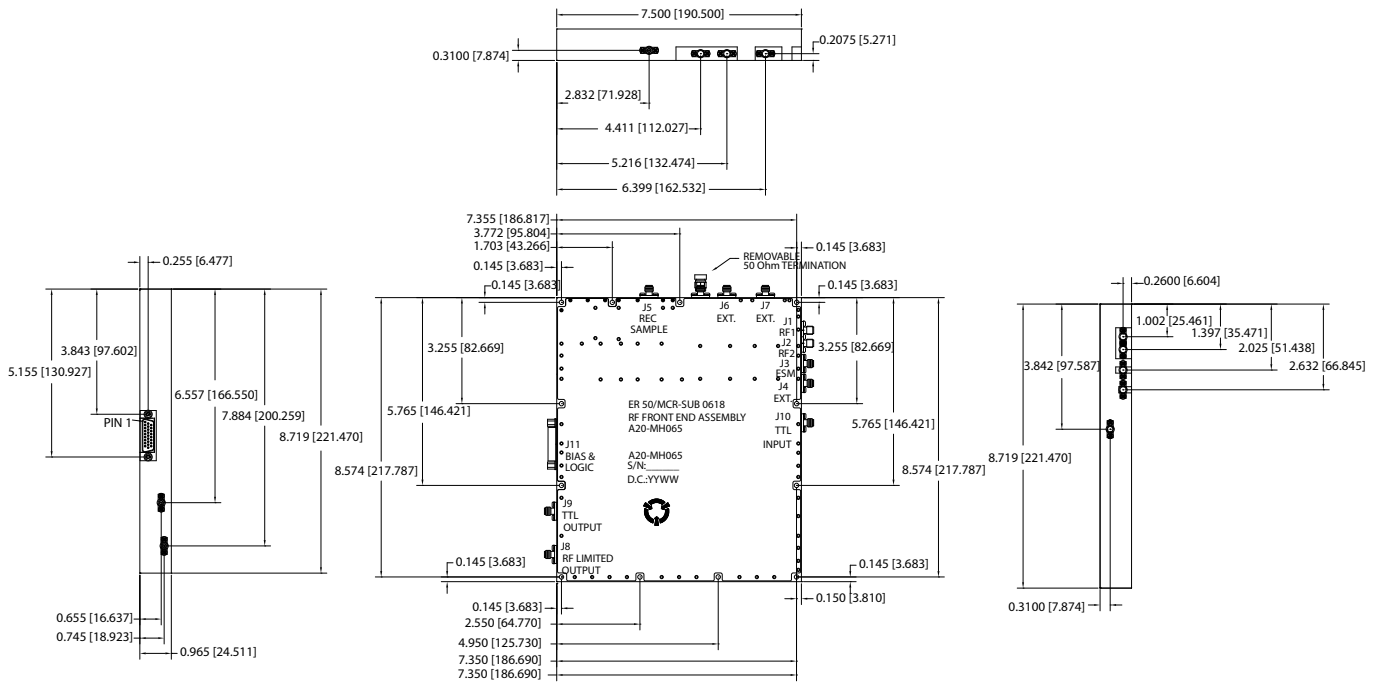


AKON's model **A20-MH065** is a critical part of our line of products which include high reliability custom integrated microwave assemblies, DFD receivers, microwave receiver front-ends, RF switching matrices, frequency synthesizers, custom LO assemblies, frequency converters, RF switches, RF attenuators and microwave amplifiers covering 2.0 - 18.0 GHz frequency range (up to 26.5 GHz for some applications). AKON is qualified to MIL-I-45208 Quality System Requirements by agencies of the U.S. Department of Defense as well as various leading foreign and domestic military OEMs. All specifications are valid over the full operating temperature unless otherwise indicated.

BLOCK DIAGRAM:



OUTLINE DRAWING:



26 PIN CONNECTOR	
Pin Number	Description
1	+15VA
2	+15VB
3	+15VC
4	+15VA Return
5	+15VB Return
6	+15VC Return
7	-15V
8	-15V Return
9	L1, SP4T
10	L2, SP4T
11	L3, SP4T
12	SPARE
13	L1, SP8T

26 PIN CONNECTOR CONT'D	
Pin Number	Description
14	L2, SP8T
15	L3, SP8T
16	L1, VVA
17	L2, VVA
18	L3, VVA
19	L4, VVA
20	L5, VVA
21	L6, VVA
22	SP2T (B)
23	SPARE
24	0-+5V
25	0-+5V Return
26	SPARE