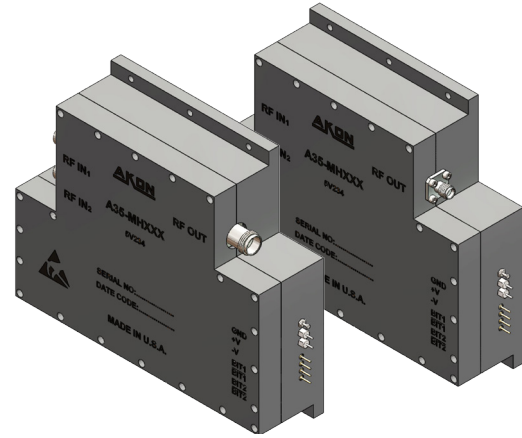


KEY PERFORMANCE FEATURES

- Wide Band Frequency Coverage
- Fast Switchable Input Control ≤ 100 ns
- Internal DC Regulation
- EAR99 Export Classification

PRODUCT DESCRIPTION

AKON developed a new coaxial line of ruggedized amplifiers with dual input high isolation SP2T switches. This new line of broadband amplifiers are available in multiple bands from 1-18 GHz.



These amplifiers have low loss/high isolation SP2T switches at the input allowing to use the amplifier with multiple inputs and a common output. AKON utilizes its own standard line of amplifiers and switches as building blocks inside these ruggedized amplifiers. AKON has designed these Amplifiers with internal TTL drivers and internal DC regulation.

AKON products are designed to withstand the demanding environments of Military, Space and Industrial applications. Our compact and ruggedized products are designed to handle stringent mechanical shock/vibrations, temperature cycling, altitude and temperature extremes.

Reliability is a key feature of AKON products and to ensure this we perform ESS testing on all of our products. AKON offers an off-the-shelf screening option called its "H" series, per Mil-STD-883 level B that is available on all of its RF & Microwave Components. **For custom electrical, mechanical, and screening options, please contact AKON Sales: sales@akoninc.com (or) 408-432-8039.**

SPECIFICATIONS:

Model Number	Frequency Range (GHz)	Overall Gain (dB)	Isolation J1 - J2	Noise Figure (dB)	P1 dB (dBm)	VSWR	DC Bias (+ VDC)	RF Connector*
A35-MH260	2 - 6	22	50	9	20	2.0:1	± 12	S, N, T
A35-MH261	2 - 8	22	50	9	23	2.0:1	± 12	S, N, T
A35-MH262	6 - 18	20	50	10	20	2.0:1	± 12	S, N, T
A35-MH263	1 - 18	19	60	11	17	2.0:1	± 12	S, N, T

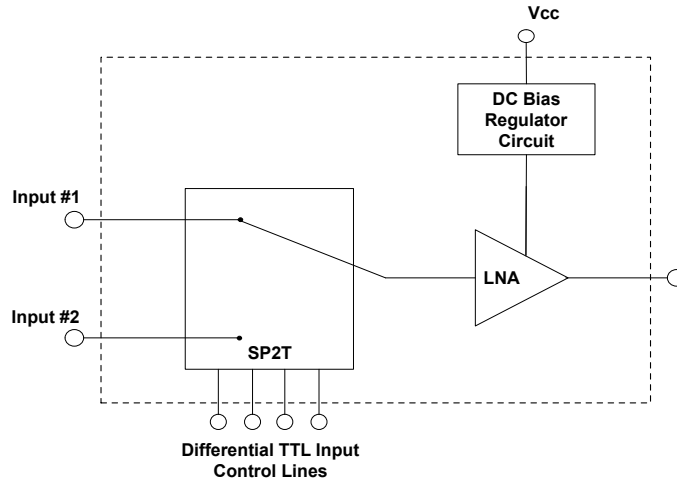
AKON, Inc. and its affiliates reserve the right to make changes to the product(s) or information contained herein without notice.

All products are measured in 50-ohm system, over a temperature Range of -54 to +85° C.

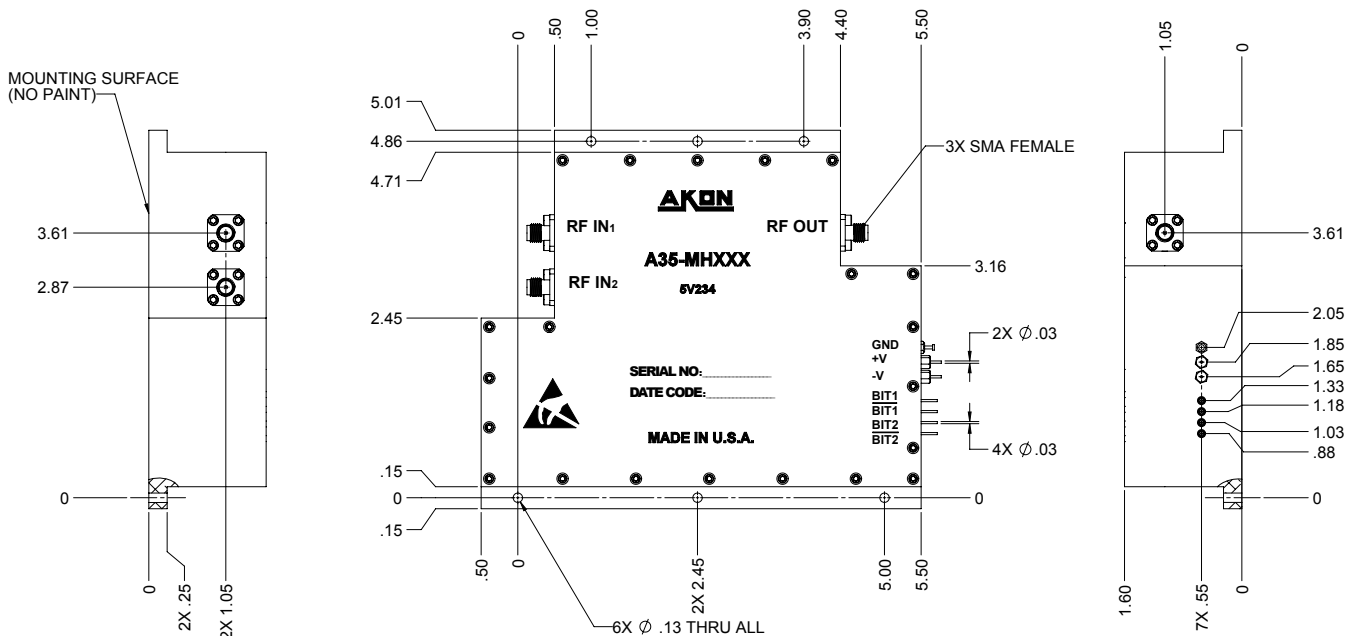
*Ordering information: Examples: A35-MH260S (SMA female connectors), A35-MH260N (Type N connectors), A35-MH260T (TNC connectors)

Note: All dimensions are specified in inches (mm)

SIMPLIFIED BLOCK DIAGRAM



OUTLINE DRAWING (SMA)



OUTLINE DRAWING (TNC)

