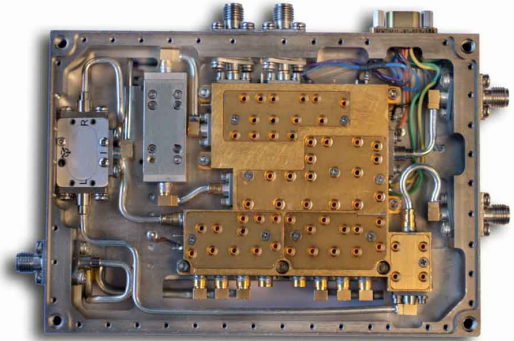


FEATURES:

- TYPE 1 TUNER
- 6.0 - 18.0 GHz INPUT FREQUENCY
- 2.0 - 6.0 GHz IF OUTPUT
- -10 dBm LO INPUT
- 200 NS SWITCHING SPEED
- 6.0 - 18.0 GHz AUXILIARY OUTPUT
- -30 dBc INBAND SPURIOUS



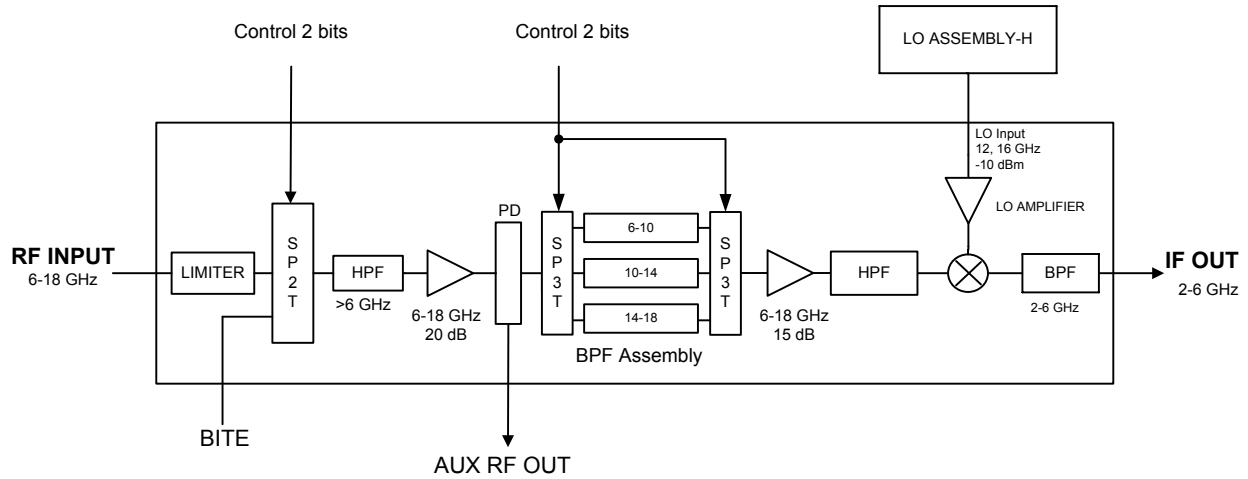
AKON's A60-ML006 is a medium-gain downconverter which accepts inputs in the 6.0 to 18.0 GHz band, incorporates a 3-channel preselector filter, each channel being 4 GHz wide, and individually down converts those channels to a 2.0 to 6.0 GHz IF output. Conversion gain is roughly 12 dB, and dynamic range is 48 dB. 0 dB SNR threshold is -68 dBm. Deselected channel isolation is over 60 dB and switching time is less than 200 ns typical.

SPECIFICATIONS:

Model Number	A60-ML006
Frequency Range (GHz)	6.0 - 18.0
IF Output (GHz)	2.0 - 6.0
Noise Figure (dB)	10 (max)
Switching Speed (ns)	200
Survival Power (W)	2 (max)
SP2T Switch Isolation (dB)	50 (min)
SP3T Switch Isolation (dB)	30 (min)
SP2T Controls (TTL)	2 bit
SP3T Controls (TTL)	2 bit ganged
LO Input (dBm)	-10 (min)
VSWR	2.5:1 (max)
LO Radiation (dBc)	-90 (max)
Aux RF Out Net Gain (dB)	12 +/- 1 dB in 6.0 - 14.0 GHz 12 +/- 2 dB in 14.0 - 18.0 GHz
IF Output Frequency Bandwidth (GHz)	2.0 - 6.0
IF Out Net Gain (dB)	3 +/- 2 dB (6.0 - 14.0 GHz RF input) 3 +/- 3 dB (14.0 - 18.0 GHz RF input)
In Band Harmonics (dBc)	<-30 (max)
In Band Spurious (dBc)	<-30 (max)
IF Linear Dynamic Range (dB)	48 (min) (-68 dBm to -20 dBm)
Power Supply (VDC)	+8.5, -8.5
Power Consumption (W)	8 (max)

Note: All dimensions are specified in inches (mm)

BLOCK DIAGRAM:



OUTLINE DRAWING:

