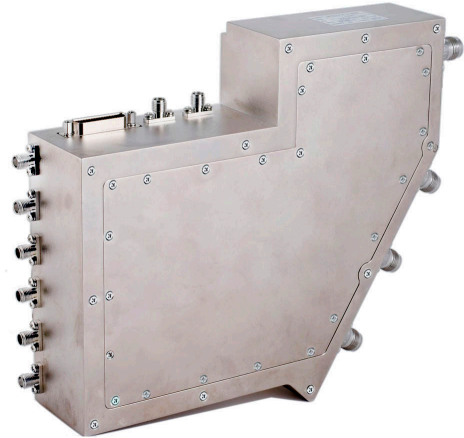


FEATURES:

- 10 x 6 MATRIX
- HIGH SPEED ABSORPTIVE SWITCHES
- MULTIPLE AMPLIFIERS, SWITCHES, POWER DIVIDERS
- 20 nS RECOVERY TIME
- 65 dB ISOLATION BETWEEN ANY TWO PORTS

AKON is a leading manufacturer of RF/microwave components and subsystems for military, space and commercial applications. AKON's product line includes high reliability, custom integrated microwave assemblies, DFD receivers, microwave receiver front-ends, RF switching matrices, frequency synthesizers, custom LO assemblies, frequency converters, RF switches, digitally controlled attenuators, miniature RF filters and switches, and microwave amplifiers covering 2.0-18.0 GHz frequency range (up to 40.0 GHz for some applications). AKON is qualified to MIL-I-45208 Quality System Requirements by agencies of the U.S. Department of Defense and by leading foreign and domestic military OEMs. All specifications are valid over the full operating temperature unless otherwise indicated.

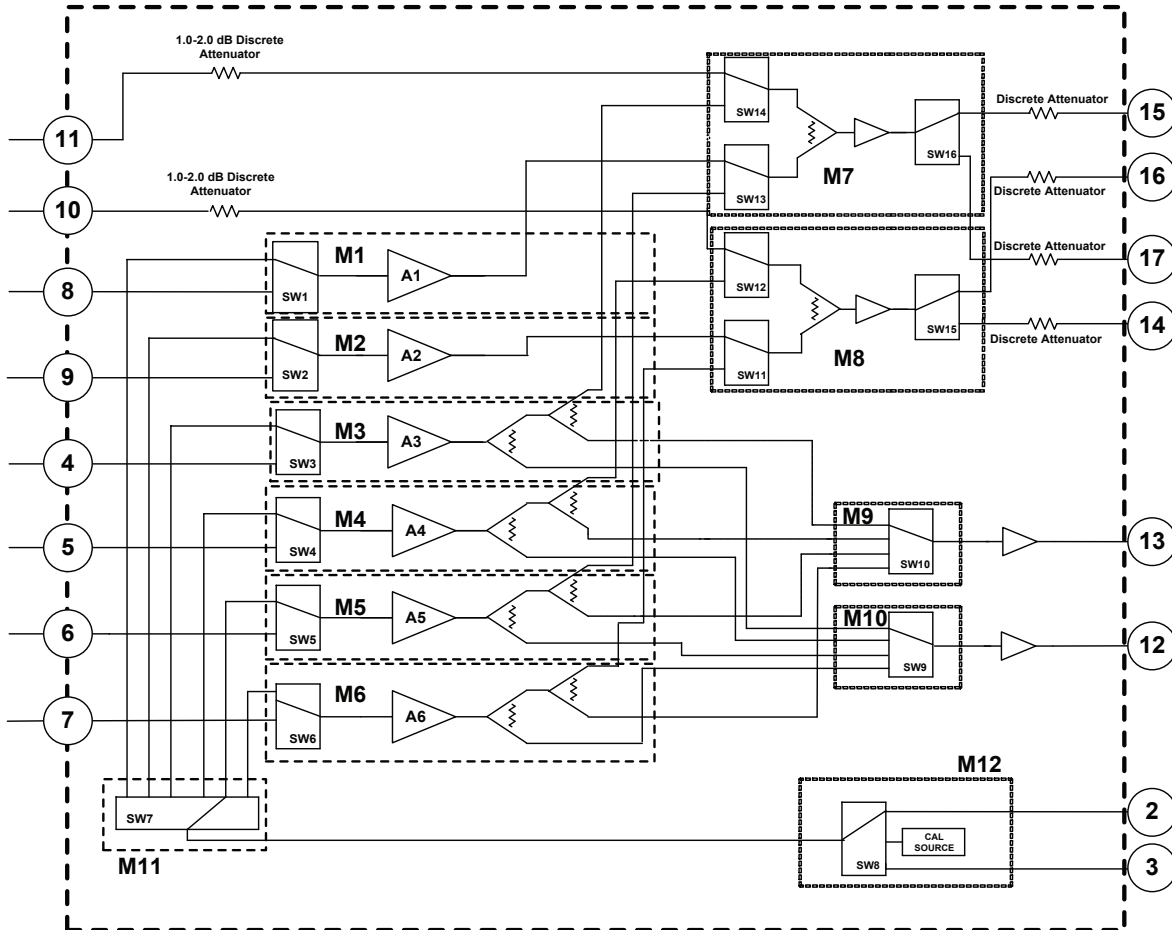


SPECIFICATIONS:

Model Number	A90-MX004
Frequency Range (GHz)	2.0 - 18.0
Power Handling (dBm)	-70 to +13 (P4 - P7) -65 to +22 (P11 - P10) -15 to +15 (P2 - P3)
Frequency Flatness (dB)	+/- 2
Noise Figure (dB)	8 (max)
Output Power (dBm)	< +23 (max)
Harmonics (dBc)	-20.0 (2nd harmonic) (min) -30.0 (3rd harmonic) (min)
Isolation (dB)	70 (min)
Recovery Time (nS)	20 (max)
Propogation Delay (nS)	2.0 (max)
VSWR	2.0:1 (max)
RF input Power (dBm)	+23.0 (for CW mode) +27.0 (for pulse mode)
Switching Speed (nS)	50 (max)
Power Supply (VDC)	+12.0 @ 2A +5.0 @ 1A -12.0 @ 0.6A
Size	7.4" x 6.8" 1.8"

Note: All dimensions are specified in inches (mm)

BLOCK DIAGRAM:



Small Signal Gain / Loss (Gain window)

Port 10, 11 to 14, 15, 16, 17	-4.5 to -11.5 dB (± 3.5 dB)
Port 8, 9 to 14, 15, 16, 17	+1.0 to +8.0 dB (± 3.5 dB)
Port 4, 5 to 14, 15, 16, 17	+2.5 to -5.5 dB (± 4.0 dB)
Port 6, 7 to 14, 15, 16, 17	+13.5 to +5.5 dB (± 4.0 dB)
Port 4, 5 to 12, 13	+0.5 to +7.5 dB (± 3.5 dB)
Port 6, 7 to 12, 13	+11.5 to +18.5 dB (± 3.5 dB)
Port 2, 3 to 14, 15, 16, 17	-7.0 to +1.0 dB (± 4.0 dB)
Port 2, 3 to 14, 15, 16, 17	-4.0 to -14.5 dB (± 5.25 dB)
Port 2,3 to 14, 15, 16, 17	+7.0 to -3.5 dB (± 5.25 dB)
Port 2,3 to 12, 13	-0.5 to -8.0 dB (± 3.75 dB)
Port 2,3 to 12, 13	+3.0 to +10.5dB (± 3.75 dB)

OUTLINE DRAWING:

