

### KEY PERFORMANCE FEATURES

- Wide Band Frequency Coverage 1 to 40 GHz
- Multi-channel Switchable Input Control
- Ruggedized Packaging Options

### PRODUCT DESCRIPTION

**AKON** has developed a series of frontend LNA assemblies with some options frequently asked by customers. The units feature a built-in Band Pass filters and SPNT Switch. Input switch can be optionally selected from SP2T to SP4T. Built-in oscillators can be added for spot frequency calibration. We can package one to four channels in a single package.

AKON products are designed to withstand the demanding environments of Military, Space and Civilian applications. Our compact and ruggedized products are designed to handle stringent mechanical shock/vibrations, temperature cycling, altitude and temperature extremes.

Reliability is a key feature of AKON products and to ensure this we perform ESS testing on all of our products. AKON offers an off-the-shelf screening option called its “H” series, per Mil-STD-883 level B that is available on all of its RF & Microwave Components. **For custom electrical, mechanical, and screening options, please contact AKON Sales: sales@akoninc.com (or) 408-432-8039.**



### SPECIFICATIONS:

Model* (XYZ)	Frequency (GHz)	Gain (dB)	Flatness (dB)	Noise Figure (Nom.)	Power Out (dBm)	Power Supply	Configuration Options	Pkg.	EAR99/ITAR
A25-MH292	1 - 18	20	+/-1.5 (Nom.)	8	+20	+/-12 V	Switch Noise # Channels	D, T, S, N	EAR99
			+/-2.0 (Max.)						
A25-MH293	2 - 18	20	+/-1.5 (Nom.)	8	+20	+/-12 V	Switch Noise # Channels	D, T, S, N	EAR99
			+/-2.0 (Max.)						
A25-MX271	2 - 6	20	+/-1.0 (Nom.)	8	+20	+/-12 V	Switch Noise # Channels	D, T, S, N	EAR99
			+/-1.5 (Max.)						
A25-MX294	6 - 18	20	+/-1.5 (Nom.)	8	+20	+/-12 V	Switch Noise # Channels	D, T, S, N	EAR99
			+/-2.0 (Max.)						
A25-MX309	18 - 26	20	+/-1.5 (Nom.)	10	+20	+/-12 V	Switch Noise # Channels	D, T, S, N	EAR99
			+/-2.0 (Max.)						
A25-MX327	26 - 40	20	+/-2.0 (Nom.)	10	+20	+/-12 V	Switch Noise # Channels	D, T, S, N	EAR99
			+/-2.5 (Max.)						
A25-MX326	18 - 40	20	+/-2.0 (Nom.)	10	+20	+/-12 V	Switch Noise # Channels	D, T, S, N	EAR99
			+/-2.5 (Max.)						

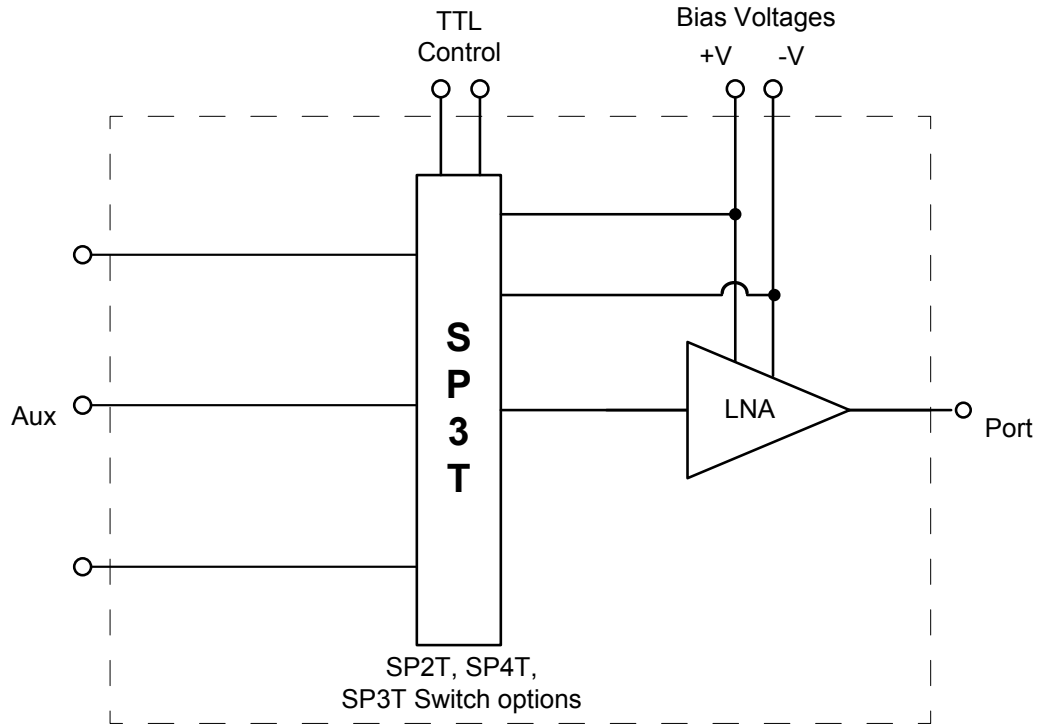
AKON, Inc. and its affiliates reserve the right to make changes to the product(s) or information contained herein without notice. All products are measured in 50-ohm system, over a temperature Range of -54° to +85° C.

**Note: All dimensions are specified in inches (mm)**

## SIMPLIFIED BLOCK DIAGRAM

### Options

- SP2T
- SP3T
- SP4T



### Configuration Options Available:

Switches	Power Connectors	No. Channels
A = SP4T	D = Std Feedthrus	1 = one Channel
B = SP2T	E = Cannon Plug	2 = two Channel
C = SP3T	F = Sub D	4 = Four Channel